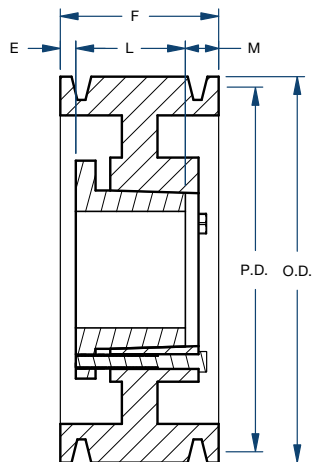
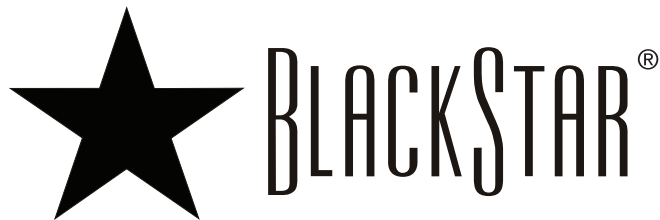
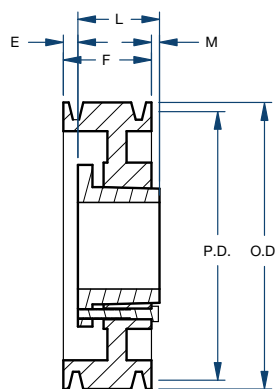


# Sheaves

## 8V SERIES 8 GROOVE/QD



Type A



Type B

Part Number	Bushing	Bore Range	Type	Diameter (in)		Dimensions (in)				Weight less Bushing (lbs)
				Pitch	Outside	E	F	L	M	
8-8V1250J	J	1-1/2 – 4-1/2	A	12.30	12.50	2-1/8	9-3/8	4-5/8	2-5/8	131.0
8-8V1320J	J	1-1/2 – 4-1/2	A	13.00	13.20	2-1/8	9-3/8	4-5/8	2-5/8	160.0
8-8V1400J	J	1-1/2 – 4-1/2	A	13.80	14.00	2-1/8	9-3/8	4-5/8	2-5/8	175.0
8-8V1500J	J	1-1/2 – 4-1/2	A	14.80	15.00	2-1/8	9-3/8	4-5/8	2-5/8	186.0
8-8V1600J	J	1-1/2 – 4-1/2	A	15.80	16.00	2-1/8	9-3/8	4-5/8	2-5/8	210.0
8-8V1700M	M	2 – 5-1/2	A	16.80	17.00	2-11/32	9-3/8	6-3/4	9/32	221.0
8-8V1800M	M	2 – 5-1/2	A	17.80	18.00	2-11/32	9-3/8	6-3/4	9/32	235.0
8-8V1900M	M	2 – 5-1/2	A	18.80	19.00	2-11/32	9-3/8	6-3/4	9/32	250.0
8-8V2000M	M	2 – 5-1/2	A	19.80	20.00	2-11/32	9-3/8	6-3/4	9/32	265.0
8-8V2120M	M	2 – 5-1/2	A	21.00	21.20	2-11/32	9-3/8	6-3/4	9/32	280.0
8-8V2240M	M	2 – 5-1/2	A	22.20	22.40	2-11/32	9-3/8	6-3/4	9/32	295.0
8-8V2480N	N	2-7/16 – 5-7/8	A	24.60	24.80	3/16	9-3/8	8-1/8	1-1/16	320.0
8-8V3000N	N	2-7/16 – 5-7/8	A	29.80	30.00	3/16	9-3/8	8-1/8	1-1/16	375.0
8-8V3550N	N	2-7/16 – 5-7/8	A	35.30	35.50	3/16	9-3/8	8-1/8	1-1/16	442.0
8-8V4000N	N	2-7/16 – 5-7/8	A	39.80	40.00	3/16	9-3/8	8-1/8	1-1/16	530.0
8-8V4450P	P	2-15/16 – 7	B	44.30	44.50	1/4	9-3/8	9-3/8	1/4	610.0
8-8V5300P	P	2-15/16 – 7	B	52.80	53.00	1/4	9-3/8	9-3/8	1/4	795.0
8-8V6300P	P	2-15/16 – 7	B	62.80	63.00	1/4	9-3/8	9-3/8	1/4	995.0